



PEDESTAL - INTERACTIVE VOICE COMMUNICATION UNIT

The **CB 1-s** is the original Code Blue Pedestal unit and sets the industry standard for rugged construction, full feature availability and high visibility. The **CB 1-s** is easily recognized throughout a full 360-degree area. The user friendly lighted faceplate and the integral area light ensures rapid location in an open environment. The high powered strobe is easily identifiable by security when activated. The exclusive CB3100 speakerphone is designed for maximum reliability and leads the market in system programming flexibility. The **CB 1-s** is an excellent choice for walkways, parks, college and commercial campus areas, open landscape areas and anywhere a freestanding pedestal unit is required.

STANDARD FEATURES:

- CB3100 Speakerphone
- 3 auxiliary inputs
- 2 auxiliary outputs
- Voice identifier
- Phone line surge suppressor
- Analog telephone connection
- LED high output area light with beacon
- High powered combo LED beacon/strobe
- LED lighted stainless steel faceplate
- 24v AC power
- Ultra weather resistant finish
- Vandal resistant hardware
- UV resistant lenses
- 12.75" diameter, 9" height
- .25" thick steel construction
- Internal foundation anchor kit
- Passive vent
- ADA compliant

OPTIONAL FEATURES:

- | | |
|--|--|
| <input type="checkbox"/> Two button speakerphone | <input type="checkbox"/> Overhead camera mount |
| <input type="checkbox"/> Two button speakerphone with keypad | <input type="checkbox"/> Powered vent |
| <input type="checkbox"/> IP wireless communication | <input type="checkbox"/> Step-down power transformer |
| <input type="checkbox"/> Cellular communication | <input type="checkbox"/> Custom colors |
| <input type="checkbox"/> NightCharge® | <input type="checkbox"/> Custom graphics |
| <input type="checkbox"/> 70 watt HPS area light | |

STANDARD FINISH COLORS

British Racing Green	Medium Bronze
Cardinal Red	Midnight Blue
Dark Bronze	Safety Blue
Gloss Black	Safety Red
Gloss White	Safety Yellow

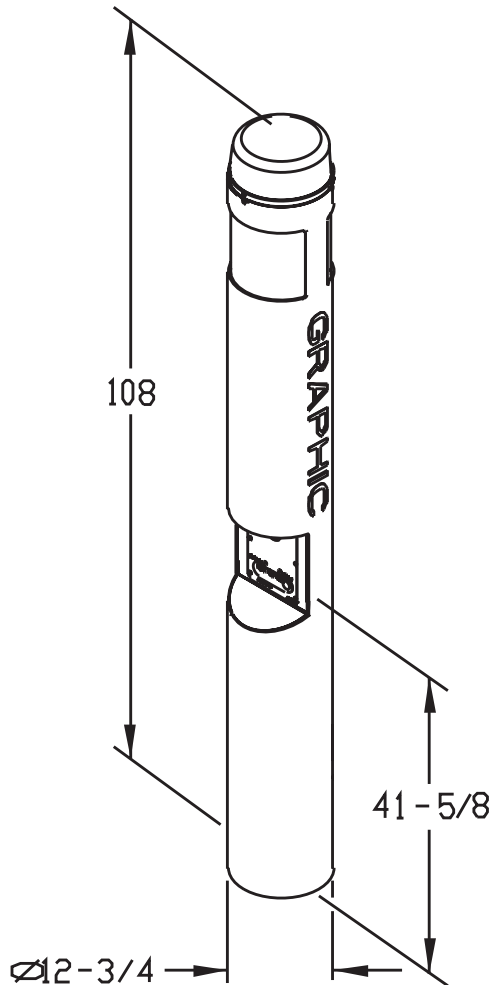
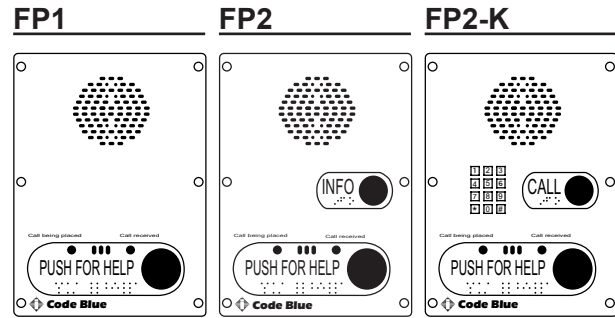
GRAPHICS TEXT (wording)

Assistance	Emergency	Security
Courtesy	Police	

GRAPHICS TEXT COLORS

Reflective Black	Reflective Red
Reflective Blue	Reflective White
Reflective Green	Reflective Yellow

Custom colors and graphics from Pantone® color chart or sample are available as a special order.


FACEPLATE OPTIONS


FP1 Standard faceplate assembly with single red PUSH FOR HELP button	FP2 Optional faceplate assembly with additional black INFO button	FP2-K Optional faceplate assembly with additional CALL button and keypad
---	--	---

CELLULAR OPTION

Provides wireless communications to eliminate trenching for phone lines. System requires a reliable cellular service to be provided by customer.

NIGHTCHARGE® OPTION

Provides continuous power to the Code Blue unit from a non-continuous power source. Typically used with an outdoor lighting network when power is only on during a portion of the day or night.

CODE BLUE UNIT SPECIFICATIONS

Overall Height	9'
Outside Diameter	12 3/4"
Housing Material	1/4 inch steel
Overall Weight	375 pounds
Access Opening	8 1/2 x 12"
Standard Power Requirements	24v AC @ 50 watts

Mounting hardware and template for each CB 1-s is shipped in advance of unit for foundation work.