

HT Hangtag

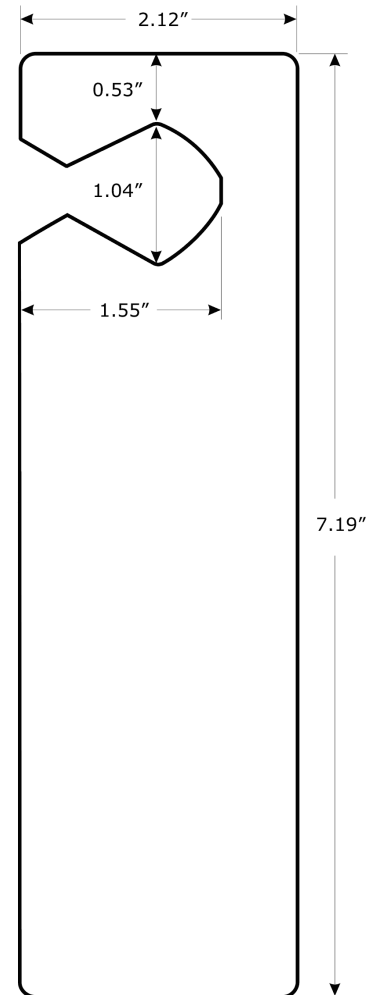
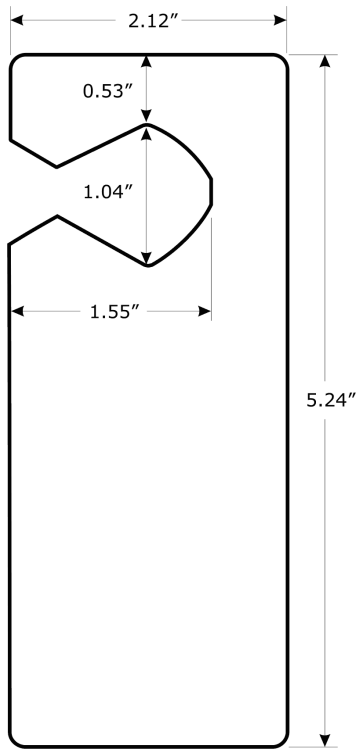


AWID's HT Hangtag combines the features of a 125 kHz proximity card with a printable tag for visible authentication – in an easily handled tag format. A “hook” at the top of the tag allows it to hang from the stem between the inside rear-view mirror and the windshield on any vehicle. Printing on the tag (a logo or printed name, a tag number, etc.) can be seen easily through the windshield. The driver presents the tag to a reader outside the driver's side window for proximity card reading.

- Contains proximity technology in a rugged laminated tag
- Two sizes (5.25 or 7.25 in. long)
- Custom-printed colors, logos and designs
- Volume discounts starting at just 250 units
- Optional bar code, magnetic stripe, sequential numbering
- 26 to 50 bit Wiegand – trillions of unique codes
- Visual compliance and proximity technology in one credential



- **Technology:** Passive Proximity at 125 kHz
- **Long life:** No contact, no battery, capable of an infinite number of reads to assure years of maintenance-free operation
- **Warranty:** Prox-Linc HT are warranted for one year against defects in material and workmanship



Read Ranges:

- SR-2400 with HT = 3 – 5 inches**
- SP-6820 with HT = 6 – 8 inches**
- KP-6840 with HT = 6 – 8 inches**
- MM-6800 with HT = 6 – 8 inches**
- RKP-4600 with HT = 4 – 6 inches**
- MR-1824 with HT = 16 – 20 inches**
- MR-1824-MC with HT = 12 – 16 inches**

Frequency:

125 kHz - Passive

Operating Temperatures:

-31° to 150° F (-35° to 65° C)

Operating Humidity:

0-95% non-condensing

Weight: 0.25 oz

Color:

Multiple colors available
(additional charges apply)



Warranty:

One year warranty against defects in material and workmanship when installed according to AWID's installation instructions. See complete warranty statement for further details.

Disclaimer:

Specifications subject to change without notice. AWID reserves the right to make changes to improve performance without impacting form, fit or function.